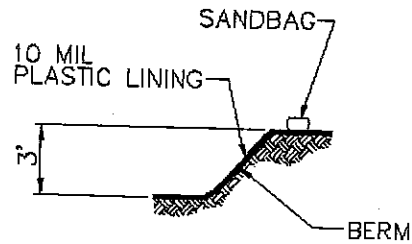
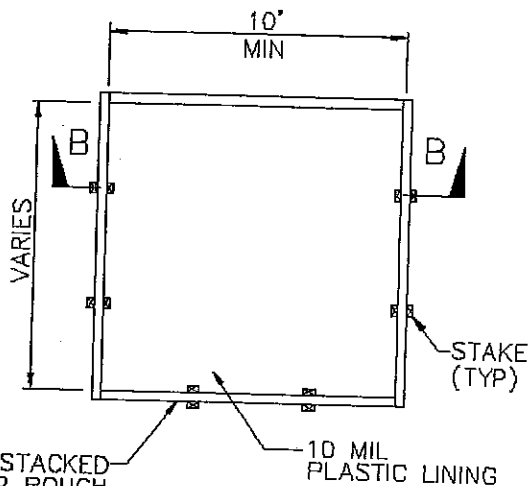


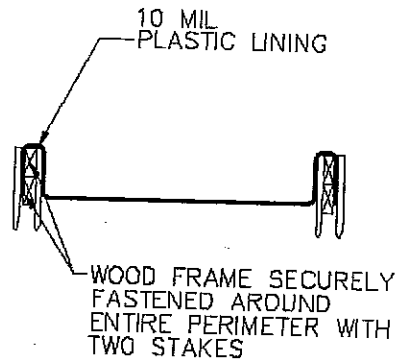
PLAN
NOT TO SCALE
TYPE "BELOW GRADE"



SECTION A-A
NOT TO SCALE



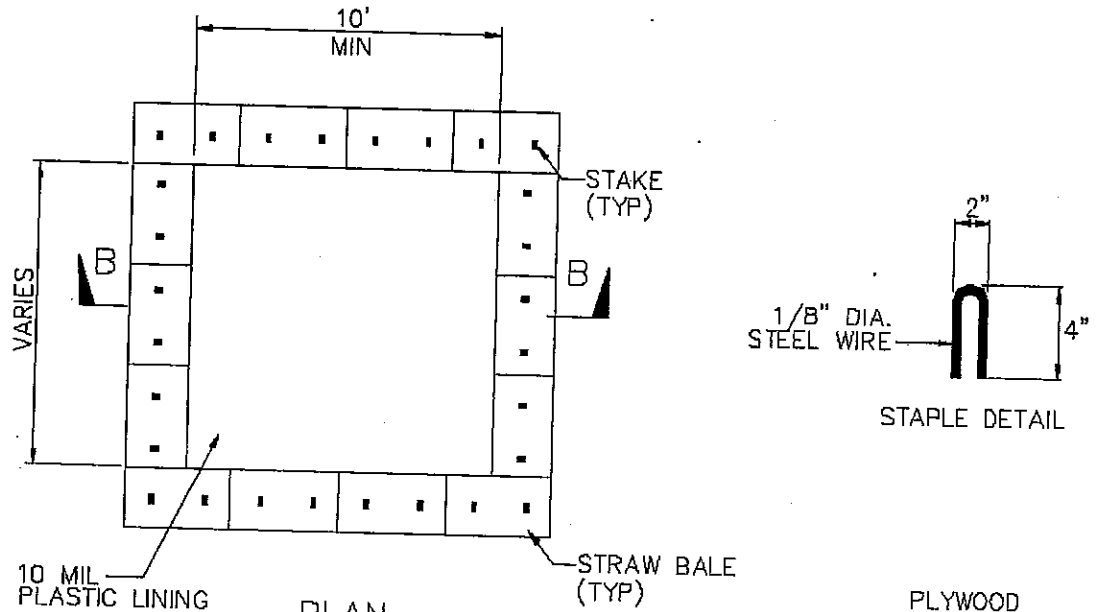
PLAN
NOT TO SCALE
TYPE "ABOVE GRADE"



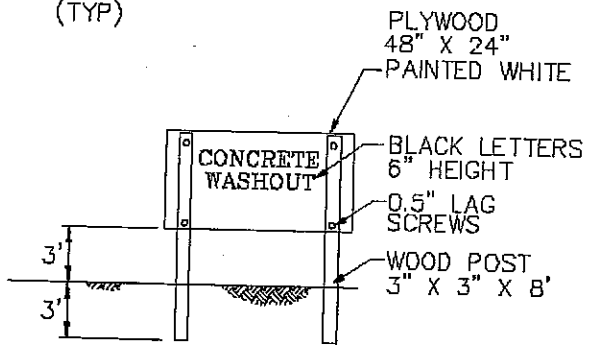
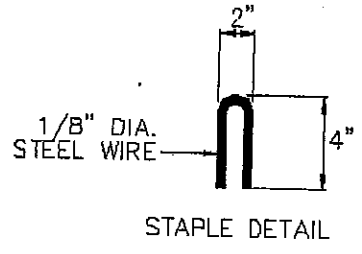
SECTION B-B
NOT TO SCALE

NOTES

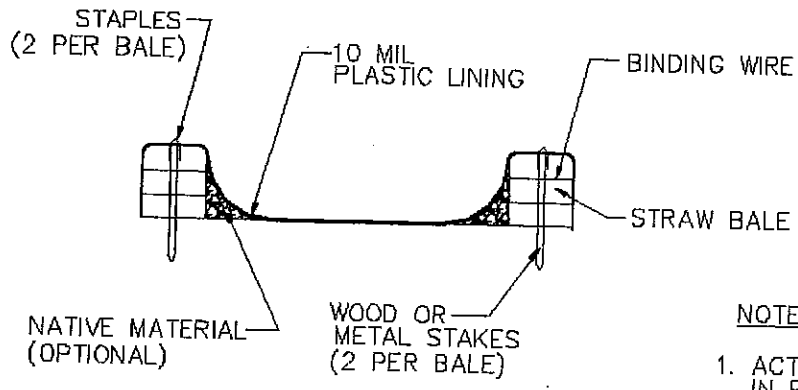
1. ACTUAL LAYOUT DETERMINED IN FIELD.
2. THE CONCRETE WASHOUT SIGN SHALL BE INSTALLED WITHIN 30 FT. OF THE TEMPORARY CONCRETE WASHOUT FACILITY.



PLAN
NOT TO SCALE
TYPE "ABOVE GRADE"
WITH STRAW BALES



CONCRETE WASHOUT SIGN DETAIL
(OR EQUIVALENT)



SECTION B-B
NOT TO SCALE

NOTES

1. ACTUAL LAYOUT DETERMINED IN FIELD.
2. THE CONCRETE WASHOUT SIGN SHALL BE INSTALLED WITHIN 30 FT. OF THE TEMPORARY CONCRETE WASHOUT FACILITY.